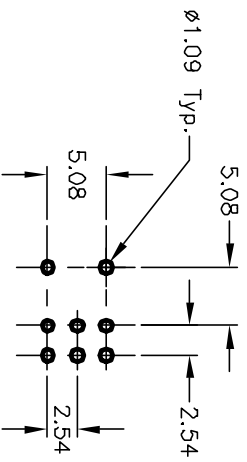
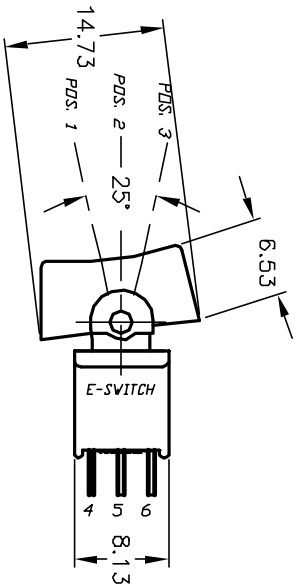
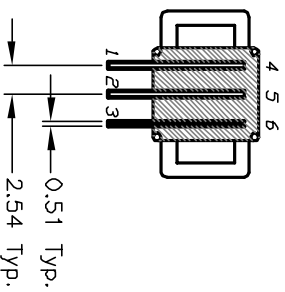
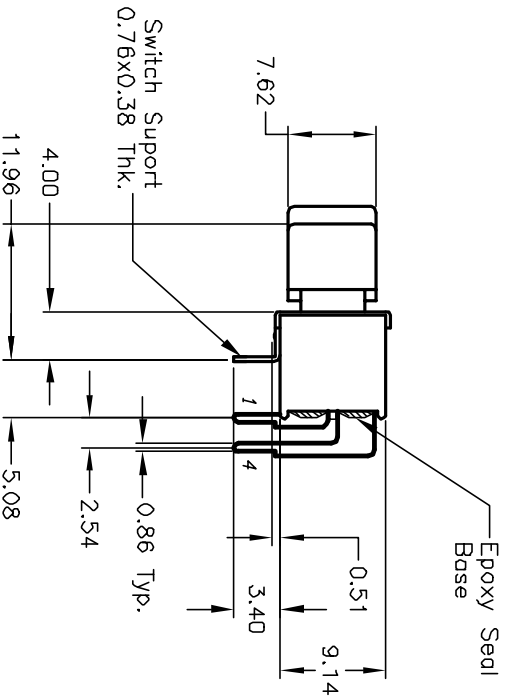
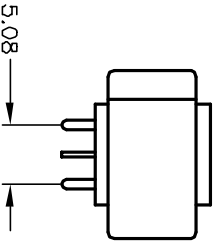


CIRCUIT: SPDT
CONTACT CONFIGURATION

SWITCH FUNCTION		
POS. 1	POS. 2	POS. 3
DN	NONE	DN
2-3, 5-6	DPEN	2-1, 5-4



RECOMMEND P.C.B. LAYOUT



NOTES:

1. ALL DIMENSIONS IN MM
2. GENERAL TOLERANCE: 0.0=±0.4
0.00=±0.25
3. TERM. NOS. FOR REF. ONLY
4. RATING: 3A, @120VAC or 28 VDC; 1A, @250VAC.
5. ELECTRICAL LIFE: 30,000 make-and-break cycles at full load.
6. INSULATION RESISTANCE: 1,000M Ohms min.
7. DIELECTRIC STRENGTH: 1,000 V RMS @sea level.
8. OPERATION TEMP.: -30°C to 85°C

E-SWITCH®

A		12767	RELEASED FOR PRODUCTION	5/4/00	MM	TITLE		400A WMDP-1 R1 (Blk.) M6 Q E
REV.	ECN No.	DESCRIPTION		DATE	CHKD	SCALE	DATE	DR
						1.5:1	5/4/00	MM
THE INFORMATION CONTAINED IN THIS DOCUMENT IS PROPRIETARY TO E-SWITCH AND IS NOT TO BE COPIED OR TRANSMITTED						DWG	T450101	REV
								A